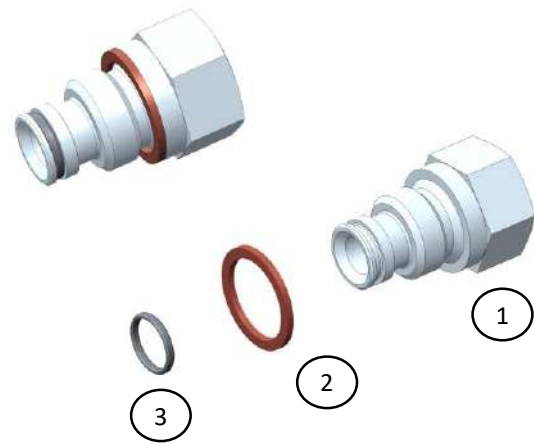
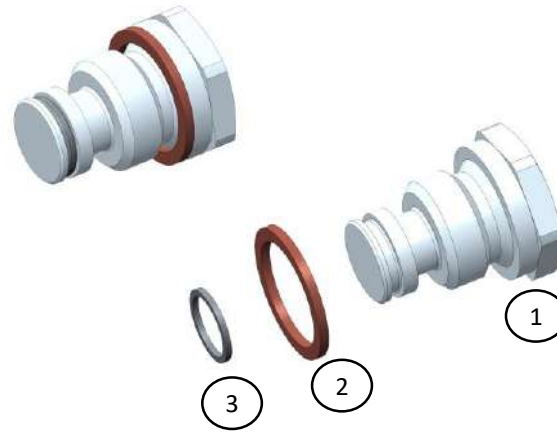


KIT H CARRY OVER FOR MB/25 CODE 250300



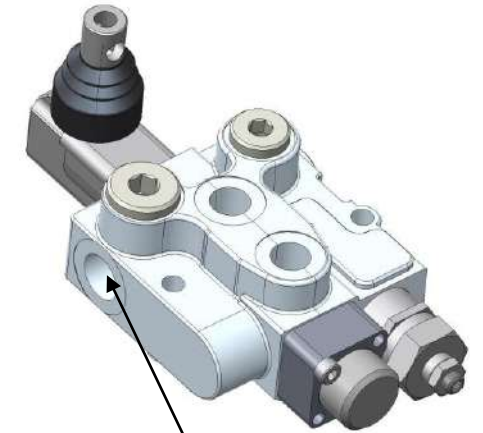
CODE	DESCRIPTION	QT
1-29016	PLUG H FOR MB/25	1
2-55017	WASHER COPPER EXTERNAL DIAMETER 26,9 MM INTERNAL DIAMETER 21.50 MM THICKNESS 1.40 MM	1
3-61092	O-RING 2050 INTERNAL DIAMETER 12,42 MM THICKNESS 1,78 MM	1

KIT D CLOSED CENTER FOR MB/25 CODE 250310



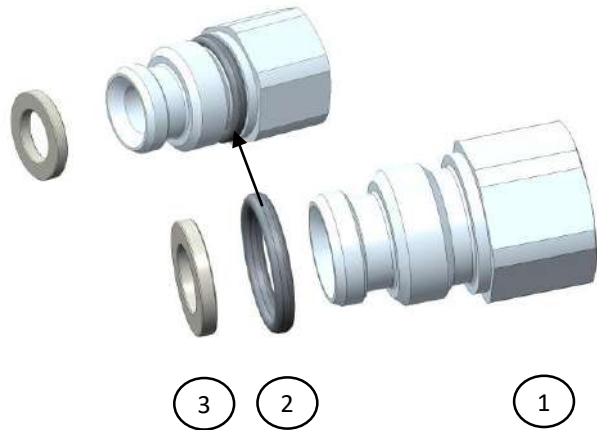
CODE	DESCRIPTION	QT
1-29021	PLUG D FOR MB/25	1
2-55017	WASHER COPPER EXTERNAL DIAMETER 26,9 MM INTERNAL DIAMETER 21.50 MM THICKNESS 1.40 MM	1
3-61092	O-RING 2050 INTERNAL DIAMETER 12,42 MM THICKNESS 1,78 MM	1

MB/25

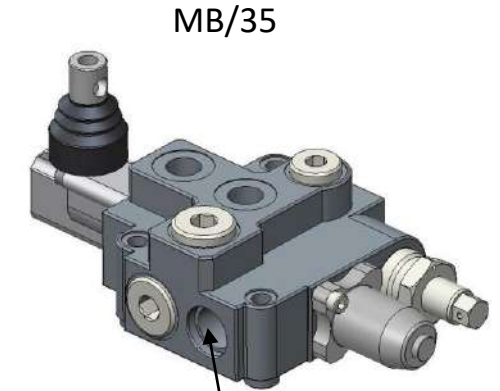
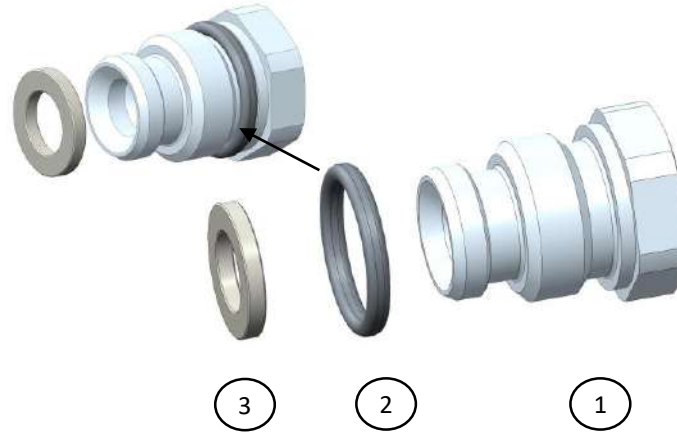


PORT -T- OF MB/25 FOR CARRY OVER
OR CLOSED CENTER

KIT H CARRY OVER FOR MB/35 CODE 000300



KIT D CLOSED CENTER FOR MB/35 CODE 000310



MB/35

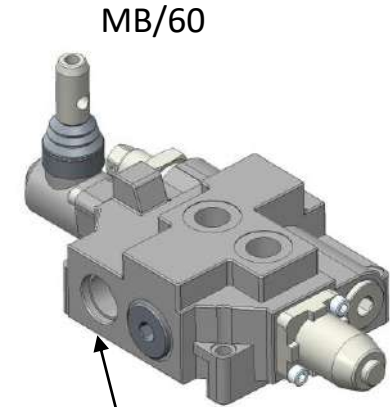
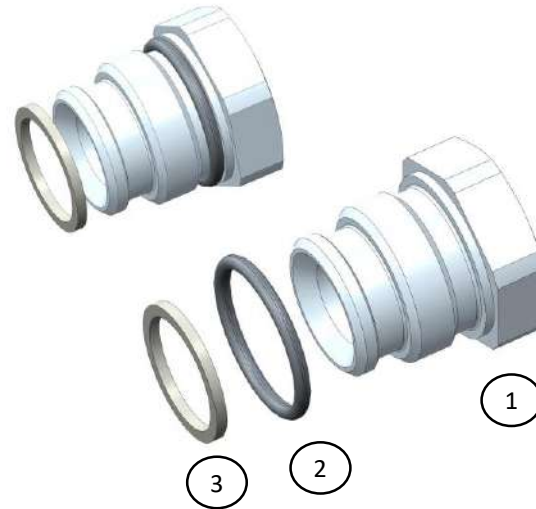
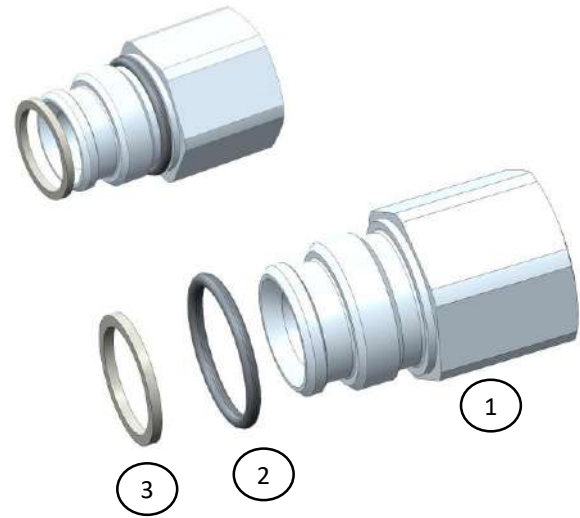
PORT -T- OF MB/35 FOR CARRY OVER
OR CLOSED CENTER

CODE	DESCRIPTION	QT
1-01107	PLUG H FOR MB/35	1
2-60285	O-RING 123 INTERNAL DIAMETER 17,86 MM THICKNESS 2,62 MM	1
3-01240	ALUMINIUM WASHER H/D FOR MB/35 INTERNAL DIAMETER 12.50 MM EXTERNAL DIAMETER 18.00 MM THICKNESS 2.5 MM	1

CODE	DESCRIPTION	QT
1-01106	PLUG D FOR MB/35	1
2-60285	O-RING 123 INTERNAL DIAMETER 17,86 MM THICKNESS 2,62 MM	1
3-01240	ALUMINIUM WASHER H/D FOR MB/35 INTERNAL DIAMETER 12.50 MM EXTERNAL DIAMETER 18.00 MM THICKNESS 2.5 MM	1

KIT H CARRY OVER FOR MB/60 CODE 000600

KIT D CLOSED CENTER FOR MB/60 CODE 000610



MB/60

PORT -T- OF MB/60 FOR CARRY OVER
OR CLOSED CENTER

CODE	DESCRIPTION	QT
1-08039	PLUG H FOR MB/60	1
2-60291	O-RING 3093 INTERNAL DIAMETER 23,47MM THICKNESS 2,62	1
3-55003	ALUMINIUM WASHER 3/8 EXTERNAL DIAMETER 21.90 MM INTERNAL DIAMETER 17.10 MM THICKNESS 1.50 MM	1

CODE	DESCRIPTION	QT
1-08046	PLUG D FOR MB/60	1
2-60291	O-RING 3093 INTERNAL DIAMETER 23,47MM THICKNESS 2,62	1
3-55003	ALUMINIUM WASHER 3/8 EXTERNAL DIAMETER 21.90 MM INTERNAL DIAMETER 17.10 MM THICKNESS 1.50 MM	1